

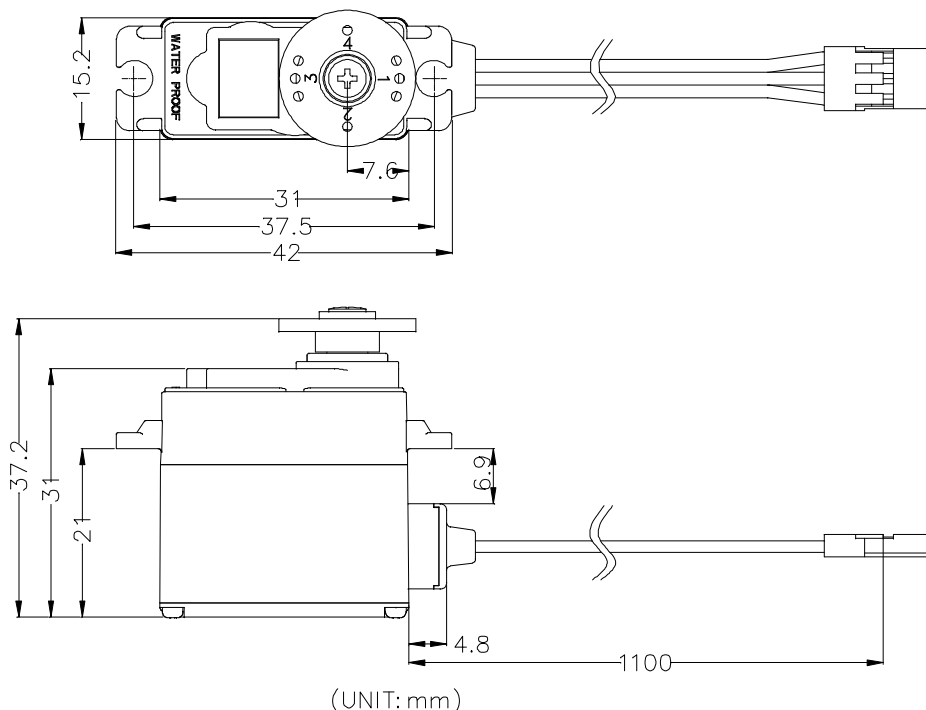
TARGET

PREPARED BY JUN HEE, LEE
BEGIN DATE: JAN 01,2008
UPDATE: MAR 31,2010

GENERAL SPECIFICATION OF HS-5086WP DIGITAL MICRO WATER PROOF SERVO

1. TECHNICAL VALUE

| | | |
|--------------------------------------|--|------------------------|
| CONTROL SYSTEM | :+PULSE WIDTH CONTROL 1500usec NEUTRAL | |
| OPERATING VOLTAGE RANGE | :4.8V TO 6.0V | |
| OPERATING TEMPERATURE RANGE | :-20°C TO +60°C(-4°F TO +140°F) | |
| TEST VOLTAGE | :AT 4.8V | AT 6.0V |
| OPERATING SPEED | :0.18sec/60° AT NO LOAD | 0.15sec/60° AT NO LOAD |
| STALL TORQUE | :3.0kg.cm(41.66oz.in) | 3.6kg.cm(50.0oz.in) |
| STANDING TORQUE | :- | |
| IDLE CURRENT | :3mA AT STOPPED | 3mA AT STOPPED |
| RUNNING CURRENT | :220mA/NO LOAD RUNNING | 280mA/NO LOAD RUNNING |
| STALL CURRENT | :1450mA | 1800mA |
| DEAD BAND WIDTH | :2usec | 2usec |
| OPERATING TRAVEL | :40±5°/ONE SIDE PULSE TRAVELING 400usec | |
| MECHANICAL ANGLE | :180° MAX | |
| DIRECTION | :CLOCK WISE/PULSE TRAVELING 1500 TO 1900usec | |
| MOTOR TYPE | :3-POLE FERRITE CORED METAL BRUSH | |
| POTENTIOMETER TYPE | :2 SLIDER/500K CYCLE LONG LIFE | |
| DIMENSIONS | :31.0x15.2x31.0mm(1.22x0.60x1.22in) | |
| WEIGHT | :28.5g(1.0oz) | |
| BALL BEARING | :DUAL/MR52,MR106 | |
| GEAR MATERIAL | :ALL METAL | |
| HORN GEAR SPLINE | :24 SEGMENTS/∅5.76 | |
| SPLINED HORNS | :MICRO/M-I,M-O,M-X | |
| CONNECTOR WIRE LENGTH | :250mm(9.8in) | |
| CONNECTOR WIRE STRAND COUNTER | :40EA | |
| CONNECTOR WIRE GAUGE | :25AWG | |
| Duration of the test in water | :30min | |



2. FEATURES

IP67 WATER PROOF
DUAL BALL BEARING

3. APPLICATIONS

FOR SMALL MODELS